



SIMPLY STAINLESS

Modular Sinks, Tables & Shelving

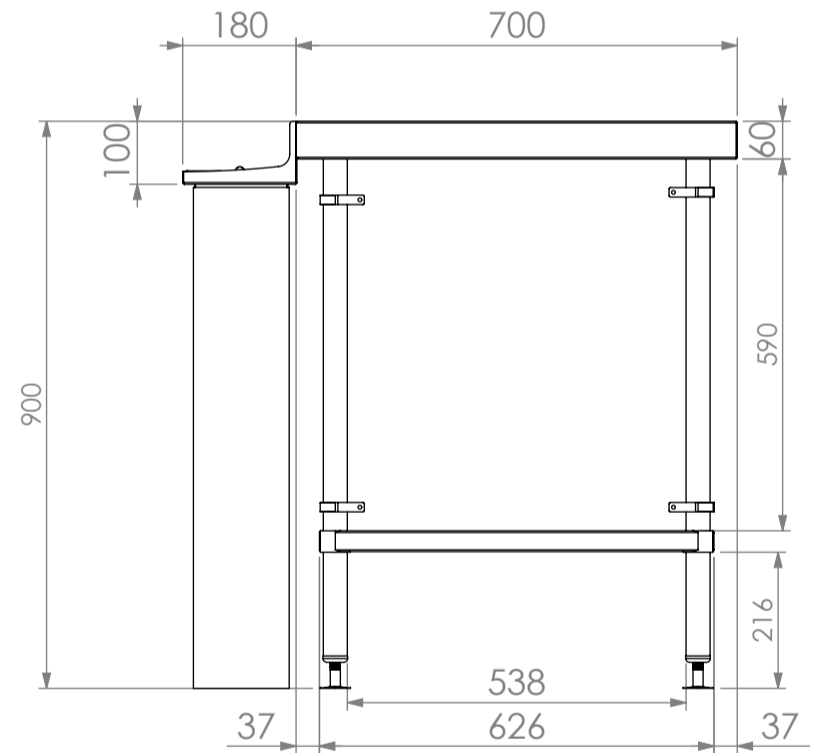


42-CS-7-0900



42-CS-7-1200

SPECIFICATION	
Tops	- High quality 304 grade stainless steel. - 1.2mm gauge, no. 4 Finish.
Core	- 1.2mm stainless top hat channel.
Frames	- Ø38mm round stainless steel tube. - Satin polished. - Machined collars. - Adjustable stainless disc feet.
Undershelves	- High quality stainless steel. - 1.2mm gauge, no. 4 Finish.
Accessories	- 1.2mm stainless drip tray to front. - integrate glass rinser. - ½" BSP drain spigot. - 1.2mm stainless coffee chute with rubber knock. - Stainless brackets for fixing cladding .



42-CS	Coffee Station/Bench			
	Product Code	Dimensions (mm)	Unit weight (Kg)	Load capacity (Kg)
	42-CS-7-0900	900x700x900	47	180
	42-CS-7-1200	1200x700x900	57	180

